

# PRODUCT INFORMATION PACKET

Model No: 5KC46LN0149X

Catalog No: C1156

3/4 HP General Purpose Motor, 1 phase, 1800 RPM, 115/208-230 V, 56 Frame, ODP  
Single Phase ODP Motors





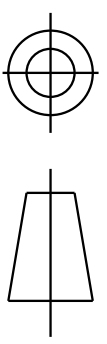
### Nameplate Specifications

Output HP	0.75 Hp	Output KW	0.56 kW
Frequency	60 Hz	Voltage	115/208-230 V
Current	13.3,6.5-6.6 A	Speed	1725 rpm
Service Factor	1.25	Phase	1
Efficiency	70 %	Power Factor	0
Duty	Continuous	Insulation Class	B
KVA Code	L	Frame	56
Enclosure	Drip Proof	Thermal Protection	AUTO
Ambient Temperature	40 °C	Drive End Bearing Size	6203
Opp Drive End Bearing Size	6203	UL	Recognized
CSA	Yes	CE	N

### Technical Specifications

Electrical Type	Capacitor Start Induction Run	Starting Method	SM
Poles	4	Rotation	Counterclockwise/Clockwise
Mounting	Resilient Base	Motor Orientation	ANY
Drive End Bearing	BALL	Opp Drive End Bearing	Ball
Frame Material	Rolled Steel	Overall Length	10.78 in
Frame Length	6.55 in	Shaft Diameter	0.630 in
Shaft Extension	1.88 in		
Outline Drawing	52A107737P5	Connection Drawing	52A105383AA

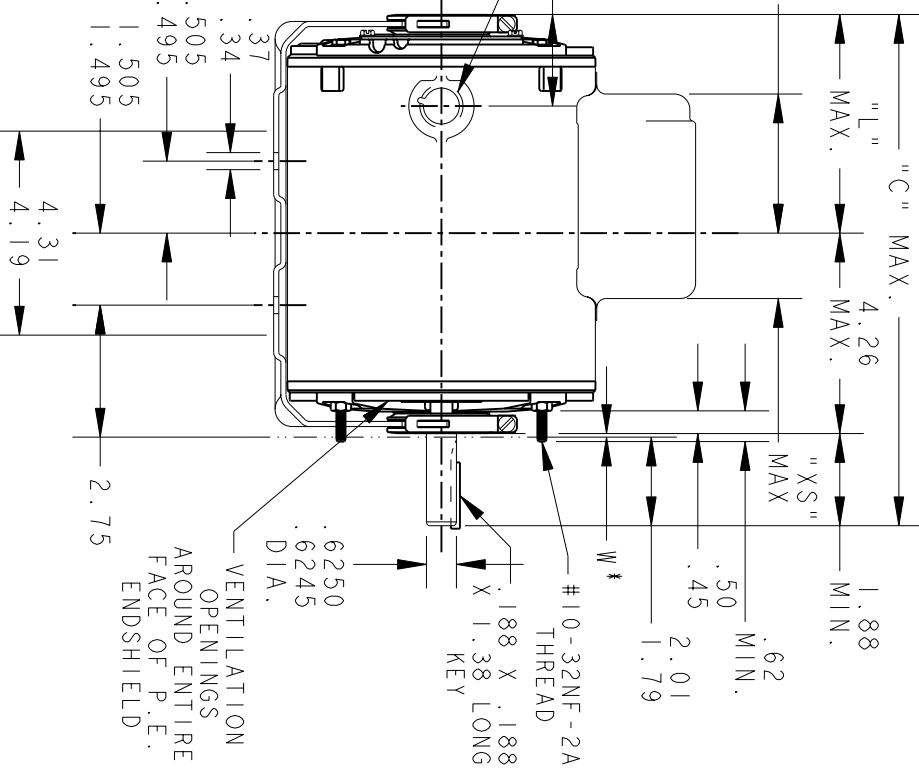
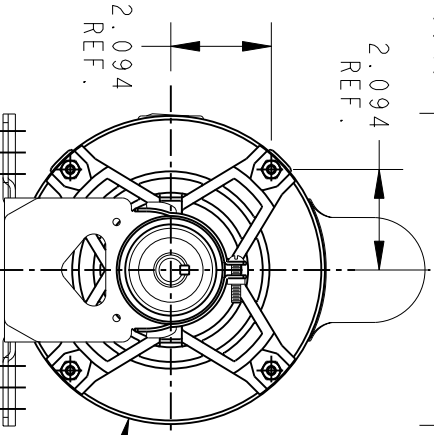
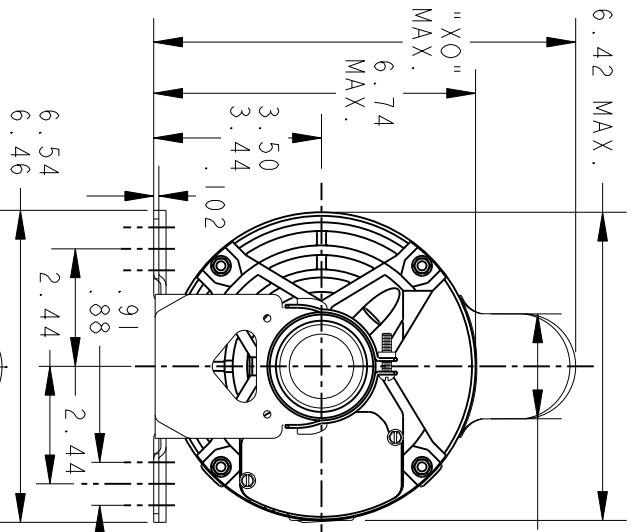
This is an uncontrolled document once printed or downloaded and is subject to change without notice. Date Created:03/11/2020



REV.	DESCRIPTION	DATE	APPROVED
7	UPDATED PT# 10 PER ISAAC 06-0996	05/17/06	PRAVEEN.K

52A107737 7

SIZE A DRAWING NO.



VIEW OF P.E. END SHIELD \*W IS A VARIABLE CLEARANCE DUE TO VARIATIONS IN PARTS AND ASSEMBLY

ALL DIMENSIONS ARE IN INCHES

10	9	8	7	6	5	4	3	2	1	P
KC	KC	KC	KC	KC	KC	KC	KC	KC	KC	TYPE
49	48	46	49	49	46	42	49	42	46	GE SIZE
10.38	12.66	10.78	10.38	11.38	10.78	9.95	11.38	9.95	10.78	NEMA FR.
4.22	6.50	4.62	4.22	5.22	4.62	3.79	5.22	3.79	4.62	"C"
2.72	3.40	2.44	2.63	3.63	3.03	2.20	3.63	2.20	3.03	"L"
8.84	8.22	8.84	8.22	8.22	8.22	8.22	8.94	8.84	8.84	"XH"
2.22	1.60	2.22	1.60	1.60	1.60	1.60	2.40	2.22	2.22	"XO"
2.72	2.29	2.10	1.91	2.12	1.51	2.34	2.12	2.34	1.51	"XR"
										"XS"
										MIN. SHELL

SIGNATURES		DATE
MODEL	M.D.PAPE	10/10/91
DETAIL		
CHECKED		
ENGRG		
FOR ADDITIONAL INFO REFER TO:		
APPLIED PRACTICES	QUALITY	
DIMENSIONS ARE IN INCHES	ISSUED	M.D.PAPE 05/17/99
MATERIAL	SOLID MODEL:	52A107737



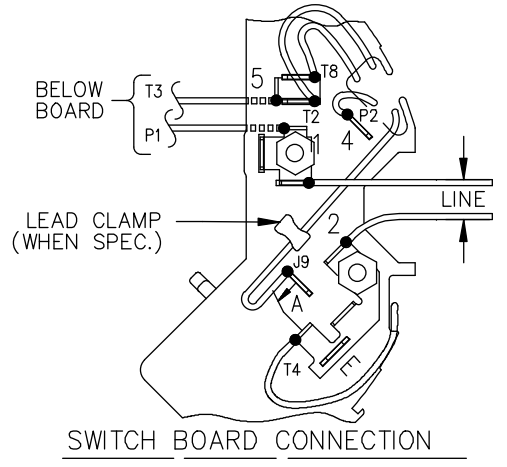
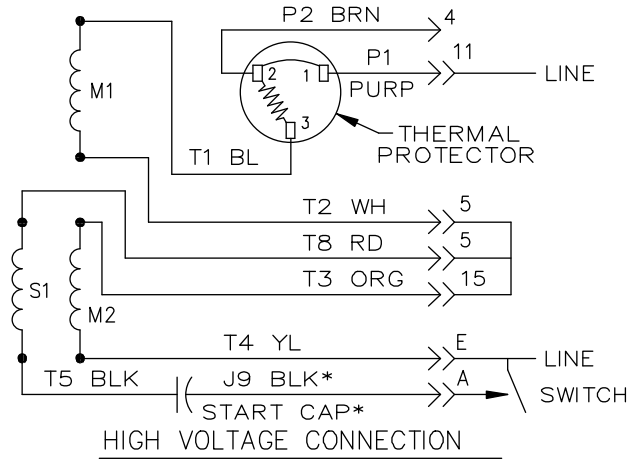
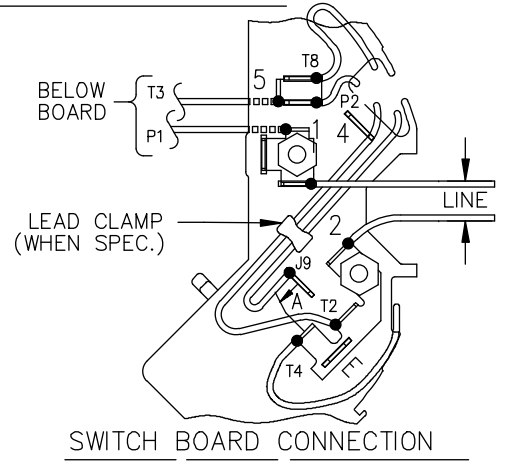
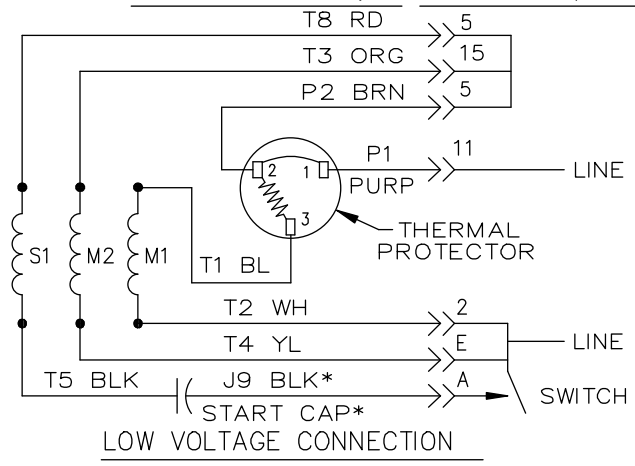
REGAL-BELOTT CORPORATION

OUTLINE

GENERAL PURPOSE MOTOR DRIP PROOF - BALL BEARING  
RESILIENT BASE EXTENDED CLAMP SCREWS FWF - 40 FRAME REDESIGN (SKC426N0022X)

TITLE	SCALE: 0.250	REF. No.:	SHEET 1 of 1
SIZE DRAWING	A		
REV	52A107737	7	

EITHER ROTATION, DUAL VOLTAGE, TYPE KC OR KH, WITH THERMAL PROTECTION



NOTE #1 - START CAP & J9 WHEN SPECIFIED (\*). IF NO CAPACITOR (KH), CONNECT T5 DIRECTLY TO SWITCH (A). WHEN MORE THAN ONE CAPACITOR IS USED, CONNECT IN PARALLEL.

NOTE #2 - TO REVERSE ROTATION, INTER CHANGE RD(T8) AND BLK(J9-KC OR T5-KH) LEADS.

SWITCH REF. - 115D958AB	CONNECTION LABEL	CCW ROTATION: NP52X332051AA
		CW ROTATION: NP52X332051AC

NO.	REVISION	BY & DATE	CHK	ANG	TOLERANCES UNLESS SPECIFIED		FINISH	DRAWING NO.	REV.	
					DEC.	INCHES				
					.X	±0.1	<p>REGAL-BELOIT CORPORATION</p> <p>TITLE CONNECTION DIAGRAM 30 FRAME SWITCH REDESIGN</p>	DRAWN M.D.P 06/29/87		
					.XX	±0.02		CHK		
					.XXX	±0.005		APPD M.D.P 03/26/96		
5	ADDED CONNECTION LABEL PER ECO-0030779	UD 02/06/13	PKG	.XXX	±0.005	MAT'L.		SCALE 1=1		
4	UPDATED PER ISO7-0150	MD 01/23/07		.XXXX	±0.0005			REF		
					±1.0		FMF			
							PREV			
THIS DRAWING IN DESIGN AND DETAIL IS OUR PROPERTY AND MUST NOT BE USED EXCEPT IN CONNECTION WITH OUR WORK. ALL RIGHTS OF DESIGN AND INVENTION ARE RESERVED. THIS IS AN ELECTRONICALLY GENERATED DOCUMENT - DO NOT SCALE THIS PRINT				RFP	CAD FILE	52A105383AA	SIZE	A	52A105383AA	5
				DIST						